

设计师
Pianca Studio

Boiserie



Boiserie是一个木制护墙板系统，由于其双重装饰和功能优势，它能够为任何房间增添风格和特色。**Boiserie**的设计是为了满足那些寻找一种独特的方式来定制他们的家的品味和要求的客户。它提供了创造无尽的组合和风格的可能性。**Boiserie**面板可以与搁板、平台、床头柜、**People**和**Spazio**系列的设备、**Domino**条案和**Pianca**床架床（即不带床头板）集成在一起。在尺寸和材料方面非常多功能，他们可以创造性地为家中的任何房间提供现代或经典风格。由于面板可以被制成厘米，最大宽度和高度达到**210**厘米，我们的**Boiserie**系统可以覆盖任何表面。对于较大的面积，只需将不同的面板放在一起。

^{EN} **Boiserie** is a system of wooden panels that has the power to add style and distinction to any room thanks to its dual decorative and functional strengths. **Boiserie** was designed to meet the tastes and requirements of all those looking for a unique way to customise their home. It offers the possibility of creating an endless array of arrangements and styles. The **Boiserie** panels can be integrated with shelves, platforms, bedside tables, units from the **People** and **Spazio** collections, the **Domino** bench and **Pianca** divan beds (i.e. without headboards). Very versatile in terms of dimensions and materials, they can creatively furnish any room of the home with their modern or classic style. Since the panels can be made-to-measure to the centimetre reaching a maximum width and height of **210** cm, our **Boiserie** system can cover any surface. For larger areas, simply put various panels together.

特点

EN Characteristics

实心墙板 EN Solid wall panel

结构由3.5厘米厚工程木板制成的，挂在墙上。可适用实木饰面，覆以玻璃或者软包，除了玻璃板以外，其他都可混搭。

EN Structure made of a 1.38"-thick engineered wood panels which are wall mounted. Available in wood finish, covered in glass or upholstery, which can be mixed and matched, except for glass-covered panels

附件, EN Accessories	木材, EN Wood 厚4.5 厘米, Th 1.77"	玻璃, EN Glass 厚5 厘米, Th 1.97"	软包, EN Upholstered 厚7 厘米, Th 2.76"
悬挂模块, EN Hanging modules			
开放模块, EN Open modules			
Venere模块, EN Venere module			
3厘米厚的实木搁板, EN Wood shelf th 1.18"	•		
玻璃搁板, EN Glass shelf			
金属搁板, EN Metal shelf	•		
底板, EN Base	•	•	•
分搁板, EN Spacers	•	•	•
灯光, EN Lighting			
背光灯, EN Back Lighting	•	•	
背光玻璃搁板, EN Backlit glass shelf			
接线, EN Wiring			
走线开孔, EN Hole grommet	•		
电器盒子, EN J-boxes	•		•
饰面, EN Finishes			
烤漆, EN Lacquered	•		
实木, EN Wood	•		
双饰面	•		
岩板, EN Slate			
玻璃, EN Glass		•	
镜面, EN Mirror		•	
布料, EN Fabric			•
皮革, EN Leather			•
合成革, EN Synthetic Leather			•

空心的墙板 EN Hollow wall panel

结构以45°角切割和折叠木板，从而形成连续的连接和表面。该系统在墙壁和结构之间创建了一个凹槽，可用于固定支架以支撑任何模块或搁板。空心木板可与不同饰面的实木板混合搭配，但不能与玻璃饰面搭配。

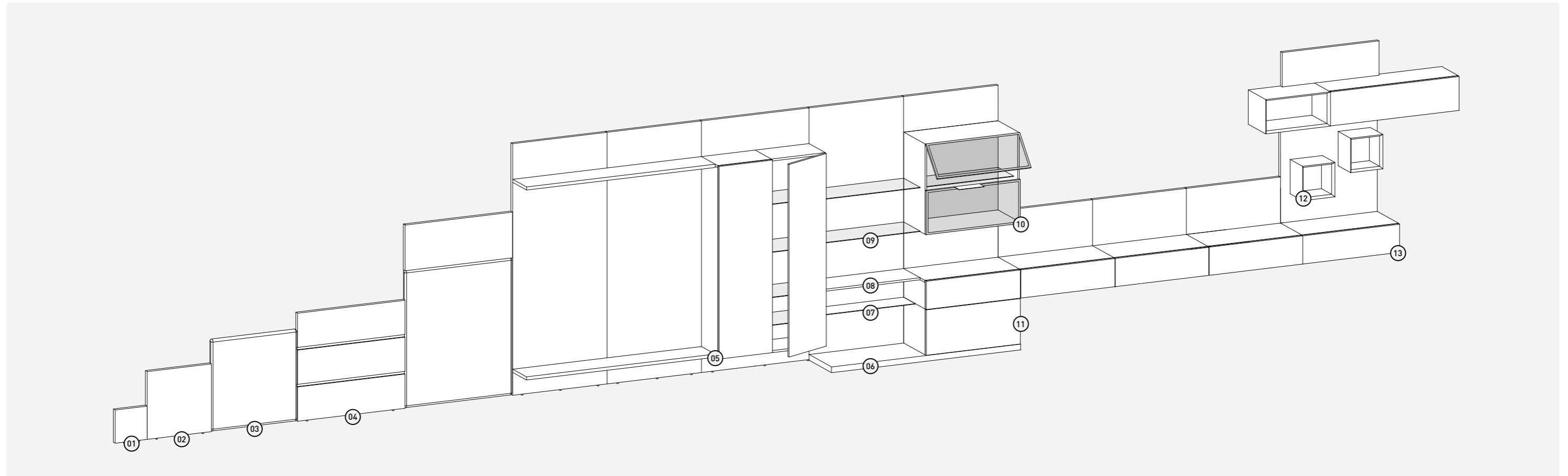
EN A structure obtained by cutting and folding the wood panels at 45° thus creating a continuous connection/surface. This system creates a recess between the wall and the structure which can be useful for securing brackets to support any modules or shelves. Hollow wood panels can be mixed and matched with solid wood panels with different finishes, except for glass-covered panels

附件, EN Accessories	木材, EN Wood 厚 4.5 厘米, Th 1.77"
悬挂模块, EN Hanging modules	•
开放模块, EN Open modules	•
Venere模块, EN Venere module	•
2-3厘米厚的实木搁板, EN Wood Shelf th 0.55" - 1.18"	•
玻璃搁板, EN Glass Shelf	•
金属搁板, EN Metal shelf	•
底板, EN Base	•
分搁板, EN Spacers	•
灯光, EN Lighting	
背光灯, EN Back Lighting	•
背光玻璃搁板, EN Backlit glass shelf	•
接线, EN Wiring	
走线开孔, EN Hole grommet	•
电器盒子, EN J-boxes	•
饰面, EN Finishes	
烤漆, EN Lacquered	•
实木饰面, EN Wood	•
双饰面	
岩板, EN Slate	•
玻璃, EN Glass	
镜面, EN Mirror	
布料, EN Fabric	
皮革, EN Leather	
合成革, EN Synthetic Leather	

组件

EN Components

Boiserie
FSC® certified



种类

EN Types

01
实心的墙板,
EN Standard wall panel

02
空心的墙板,
EN Hollow wall panel

03
软包墙板,
EN Upholstered wall panel

04
带分隔条的墙板,
EN Wall panel with
spacers

05
悬挂开门模块, EN Hanging
hinged module

06
底板, EN Base

07
金属搁板,
EN Metal shelf

08
木材搁板,
EN Wooden shelf

09
玻璃搁板,
EN Glass shelf

10
Venere模块,
EN Venere module

11
抽屉,
EN Drawer unit

12
开放模块,
EN Open module

13
翻门模块,
EN Flap door module

空心的墙板

EN Hollow wall panels

模块化

EN Modularity

落地或者挂墙空心墙板*,
EN Hollow floor sitting or wall mounted*

厚4.5 厘米
从 30 到100 厘米长
从 30 到 **210 厘米高

从 101 到 210 厘米长
从 30 到 100 厘米高

D 1.77"
W from 11.81" to 39.37"
H from 11.81" to ** 82.68"

W from 39.76" to 82.68"
H from 11.81" to 39.37"

* 180 - 210 厘米高的墙板
只能落地,
EN H 70.87" - 82.68" Wall
panel only for floor-sitting
model

**岩板墙板最高 90厘米,
EN Wall panels in slate are
envisaged with H max
35.43"

悬挂开门模块的墙板的上
部边缘, 有用于调节的洞,
EN Wall panels with
hanging modules always
have regulation holes on
the upper edge

附件

EN Accessories

挂墙模块,

EN Suspended modules

模块化, EN Modularity pag.
222, 224, 226, 228

可间隔10 厘米悬挂,
EN Can be set at 3.94"
pace

不能悬挂在墙板的底部的
10厘米,

EN Cannot be fixed to
the first 3.94" from the
bottom of the wall panels

1.4 厘米厚的搁板, EN Shelves th 0.55"

深 28 厘米
长 30 - 40 - 50 - 60 - 70 -
80 - 90 - 100 - 120 - 140 -
150 - 160 - 180 - 200 -
210 - 240 厘米

D 11.02"
W 11.81" - 15.75" - 19.69"
23.62" - 27.56" - 31.50"
35.43" - 39.37" - 47.24"
55.12" - 59.06" - 62.99"
70.87" - 78.74" - 82.68"
94.49"

两个搁板之间最近 10 厘
米, EN Minimum height
distances of 3.94"
between the two shelves

离底板20以上至离顶部以
下10厘米以上这一部分空
心墙板可悬挂搁板,
EN Can be fixed at 7.87"
cm from the top and
3.94" from the bottom of
hollow wall panels

3 厘米厚的搁板, EN Shelves th 1.18"

深 28厘米
长30 - 40 - 50 - 60 - 70 - 80
- 90 - 100 - 120 - 140 - 150
- 160 - 180 - 200 - 210 -
240 厘米

D 11.02"
W 11.81" - 15.75" - 19.69"
23.62" - 27.56" - 31.50"
35.43" - 39.37" - 47.24"
55.12" - 59.06" - 62.99"
70.87" - 78.74" - 82.68"
94.49"

离底板20以上至离顶部以
下10厘米以上这一部分空
心墙板可悬挂搁板,
EN Can be fixed at 7.87"
from the top and 3.94"
from the bottom of hollow
wall panels

可以左右间隔10厘米,
上下间隔1厘米悬挂,
EN Can be fixed every
3.94" in width and every
0.39" in height

如果跟其他模块一起放置
的, 它们可跟上边缘或者
下边缘齐平,

EN If combined with
modules, they can be aligned
to the upper/lower edge

可悬挂在并排放置的墙板上,
EN Can be fixed on
multiple wall panels
placed next to one another

它们不能挂在墙板的上
边缘或者下边缘,
EN They cannot be fixed
flush to the upper/lower
edge of wall panels

金属搁板,
EN Metal shelves
pag. 255

玻璃搁板,
EN Glass shelves
pag. 255

背光灯玻璃搁板,
EN Backlit glass shelf
pag. 256

分隔条, EN Spacers
pag. 254

底板, EN Base
pag. 232

LED灯, EN Lighting
pag. 256

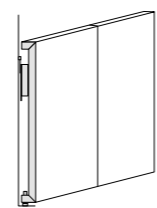
饰面

EN Finishes

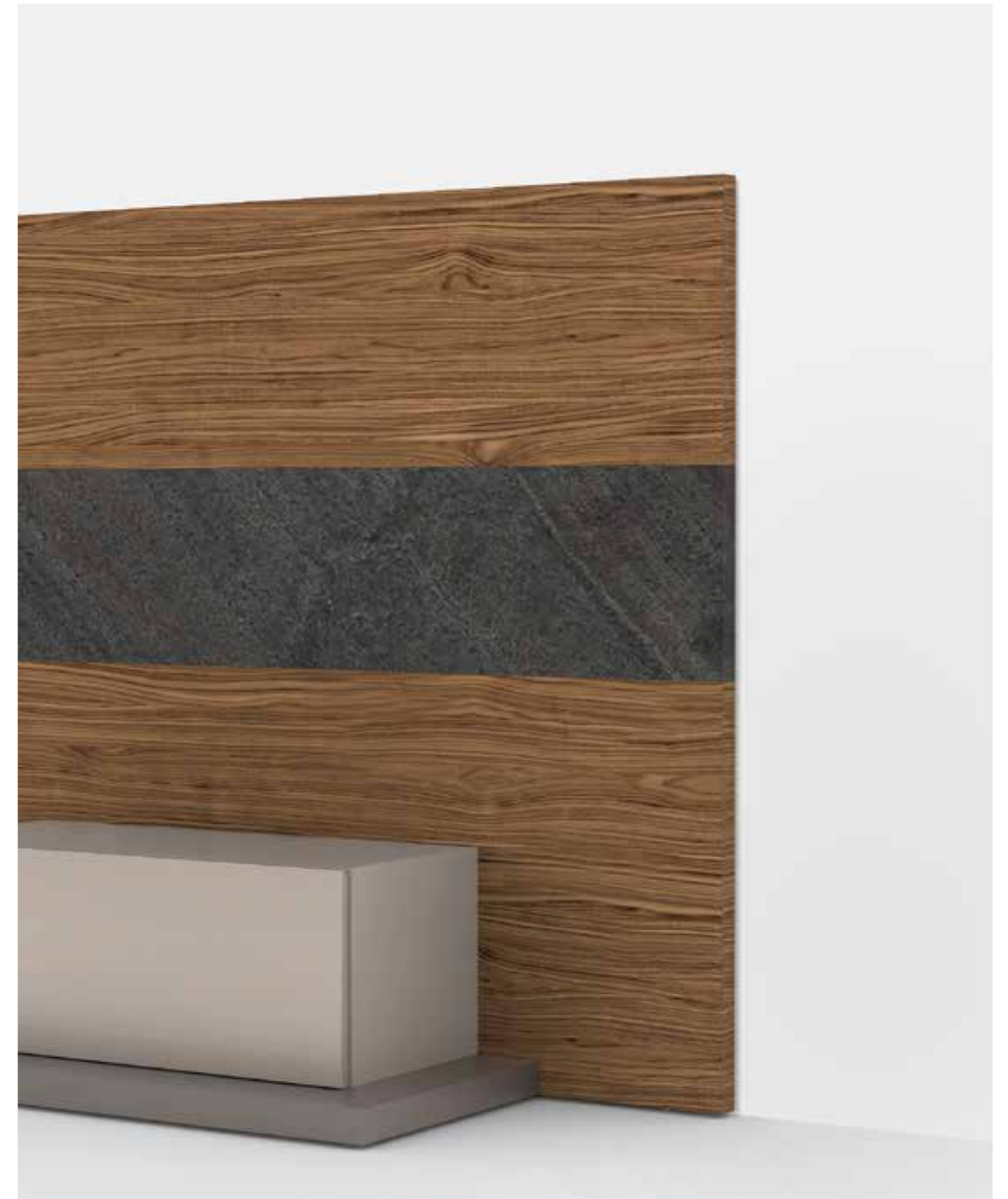
哑光或者亮光烤漆,
EN Matt or High Gloss
Lacquered

实木饰面, EN Wood:
Borgogna, Canaletto,
Rovere Fumo, Rovere
Grigio, Rovere Laguna
Rovere Naturale, Rovere
Tabacco

岩板, EN Slate: Blackline,
Multicolor



空心墙板的样角,
EN Section of hollow wall
panel



实心墙板

EN Solid wall panels

模块化

EN Modularity

落地或挂墙的实心墙板,
* EN Solid floor sitting or wall mounted*

厚 4.5 厘米
从 30 到 210 厘米长
从 30 到 120 厘米高

从30到100厘米长
从30到210厘米高

Th 1.77"
W from 11.81" to 82.68"
H from 11.81" to 47.24"

W from 11.81" to 39.37"
H from 11.81" to 82.68"

* 180 - 210厘米高的墙板
只能落地, EN H 70.87" -
82.68" Wall panel only for
floor-sitting model

附件

EN Accessories

3厘米厚的搁板,
EN Shelves Th 1.18"

深28厘米
长30 - 40 - 50 - 60 - 70
80 - 90 - 100 - 120 - 140
150 - 160 - 180 - 200
210 - 240厘米

D 11.02"
W 11.81" - 15.75" - 19.69"
23.62" - 27.56" - 31.50"
35.43" - 39.37" - 47.24"
55.12" - 59.06" - 62.99"
70.87" - 78.74" - 82.68"
94.49"

可以左右间隔10厘米,
上下间隔1厘米悬挂,

EN Can be fixed
every 3.94" in width and
every 0.39" in height

离底板20以上至离顶部以
下10厘米以上这一部分空
心墙板可悬挂搁板,
EN Can be fixed at 7.87"
cm from the top and 3.94"
from the bottom of hollow
wall panels

如果跟其他模块一起放置
的, 它们可跟上边缘或者
下边缘齐平,

EN If combined with modules,
they can be aligned to the
upper/lower edge

可悬挂在并排放置的墙板上,
EN Can be fixed on
multiple wall panels
placed next to one another

它们不能挂在墙板的上
边缘或者下边缘,
EN They cannot be
fixed flush to the
upper/lower edge of
wall panels

金属搁板,
EN Metal shelves
pag. 255

分隔条, EN Spacers
pag. 254

底板, EN Base
pag. 232

灯光, EN Lighting
pag. 256

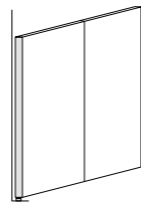
饰面

EN Finishes

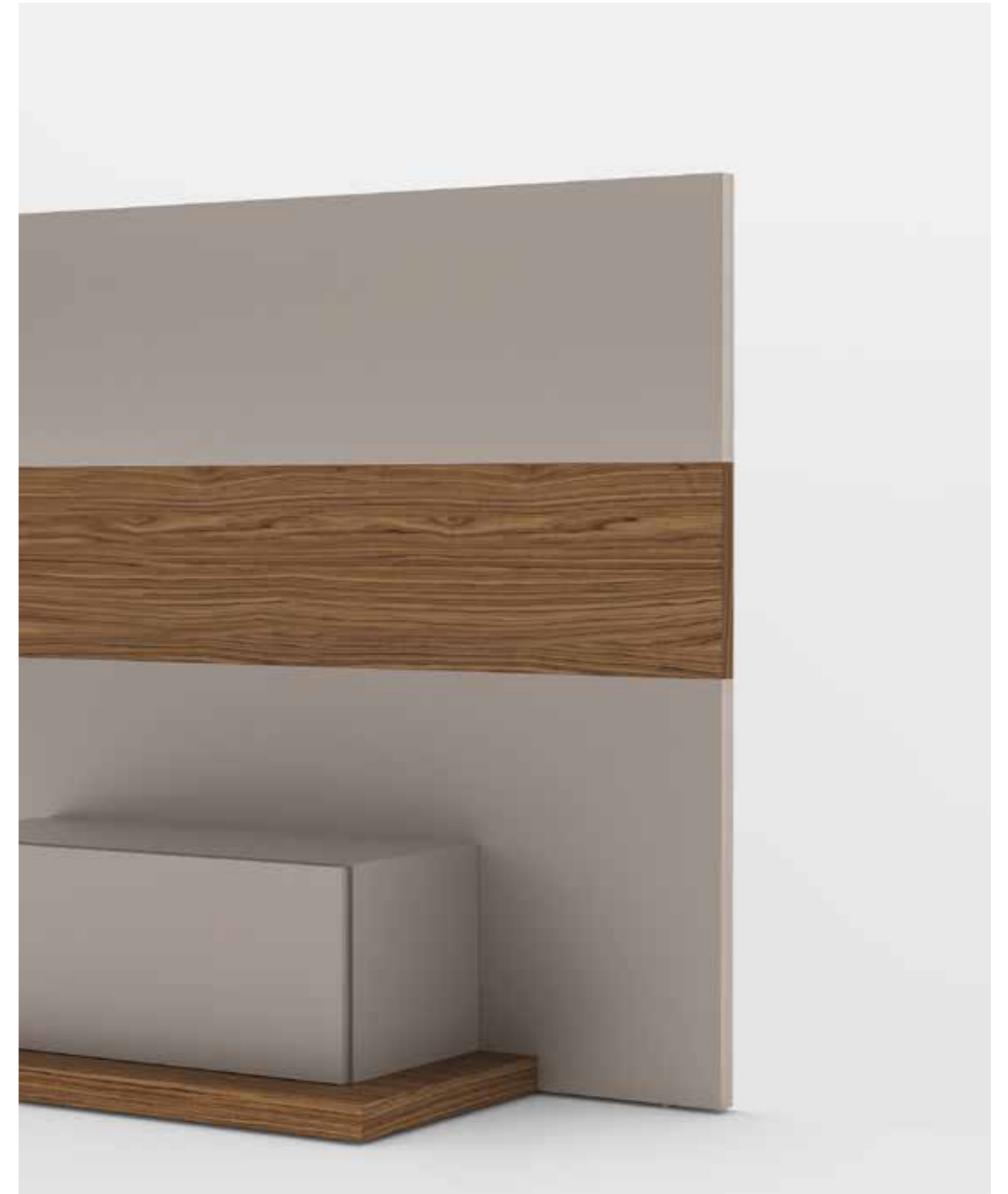
哑光或者亮光烤漆, EN Matt
or High Gloss
Lacquered

实木饰面, EN Wood:
Borgogna, Canaletto,
Rovere Fumo, Rovere
Grigio, Rovere Laguna
Rovere Naturale, Rovere
Tabacco

双饰面: Bianco, Cenere,
Seta, Alaska, Corsica



实心墙板的样角,
EN Section of standard
panel



软包墙板, EN Upholstered wall panels

模块化

EN Modularity

落地或挂墙*,
EN Floor sitting or wall mounted*

厚 7 厘米
从 30 到 210 厘米
从 30 到 120 厘米

Th 2.76"
W from 11.81" to 82.68"
H from 11.81" to 47.24"

* 180 - 210厘米高的墙板只能落地, EN H 70.87" - 82.68" Wall panel only for floor-sitting model

软包的墙板可和实心墙板以及空心墙板一起放置,
EN Upholstered wall panels can be used next to solid wooden wall panels and hollow wall panels

附件

EN Accessories

分隔条,
EN Spacers pag. 254

饰面

EN Finishes

软包, EN Cover:

可拆软包,
EN Removable cover

皮革或者合成革,
EN Leather or Synthetic Leather



玻璃墙板, EN Glass wall panels

模块化

EN Modularity

落地或挂墙*,
EN Floor sitting or wall mounted*

厚 5 厘米
从 30 到 100 厘米长
从 30 到 210 厘米高

从 101 到 210 厘米长
从 30 到 100 厘米高

Th 1.97"
W from 11.81" to 39.37"
H from 11.81" to 82.68"

W from 39.76" to 82.68"
H from 11.81" to 39.37"

180-210厘米高的墙板只能落地, 而只有玻璃墙板可以一起放置,

EN H 70.87" - 82.68" Wall panels can only be floor-sitting and only glass wall panels can be placed next to one another

附件

EN Accessories

分隔条,
EN Spacers pag. 254

底板, EN Base
pag. 232

灯光, EN Lighting
pag. 256

饰面

EN Finishes

玻璃, EN Glass:

哑光或者亮光烤漆,
EN Matt or Glossy
Lacquered, Metallizzato

镜面, EN Mirror: Argento,
Bronzo, Piombo

哑光或者亮光大理石底纹玻璃, EN Matt or Glossy
Marble Glass:
Amani, Calacatta, Sahara



分隔条

EN Spacers

模块化

EN Modularity

厚 2.2 厘米
深 2.5 厘米
从 30 到 240 厘米长

Th 0.87"
D 0.98"
W from 11.81" a 94.49"

超过 240 厘米的组合,
分隔条会在墙板的连接
点组合在一起,

EN For compositions
longer than 94.49",
the spacers will be
combined at panel joints

饰面

EN Finishes

哑光或者亮光烤漆,
EN Matt or High Gloss
Lacquered,

实木饰面, EN Wood:
Borgogna, Canaletto,
Rovere Fumo, Rovere
Grigio, Rovere Laguna
Rovere Naturale, Rovere
Tabacco

哑光或者亮光金属饰面,
EN Matt or Glossy Metal
Finishes: Bronzo,
Champagne, Cromo,
Selenio, Titanio



搁板

EN Shelves

种类

EN Types

木材搁板,
EN Wooden shelves

厚 *1.4 - 3 厘米
深 28 厘米
长 30 - 40 - 50 - 60 - 70
80 - 90 - 100 - 120 - 140
150 - 160 - 180 - 200
210 - 240 厘米

Th *0.55" - 1.18"
D 11.02"
W 11.81" - 15.75" - 19.69"
23.62" - 27.56" - 31.50"
35.43" - 39.37" - 47.24"
55.12" - 59.06" - 62.99"
70.87" - 78.74" - 82.68"
94.49"

*只适用于空心墙板,
EN Available only for
hollow wall panels

饰面, EN Finish Essenza

EN 实木饰面: Borgogna,
Canaletto, Rovere Fumo,
Rovere Grigio, Rovere
Laguna, Rovere Naturale,
Rovere Tabacco

哑光或者亮光烤漆,

EN Matt or High Gloss
Lacquered

双饰面: Bianco, Seta,
Cenere, Alaska, Corsica

玻璃搁板,
EN Glass shelves

厚 1.2 厘米
深 28 厘米
长 60 - 70 - 80 - 90 - 100
120 - 140 - 150 - 160
180 - 200 - 210 厘米

Th 0.47"
D 11.02"
W 23.62" - 27.56" - 31.50"
35.43" - 39.37" 47.24"
55.12" - 59.06" - 62.99"
70.87" - 78.74" - 82.68"

玻璃饰面, EN Finish
Trasparente Piombo

要放在两个同一厚度空心
墙板之间,
EN Must be installed
between two hollow wall
panels of the same width

金属搁板,
EN Metal shelves

厚 0.3 厘米
深 23 厘米
长 50 - 100 - 150 厘米

Th 0.12"
D 9.06"
W 19.69" - 39.37" - 59.06"

饰面, EN Finish Canna di
Fucile, Silicio

哑光烤漆,
EN Matt Lacquered

哑光或者亮光金属饰面,
EN Matt or Glossy Metal
Finishes:
Bronzo, Champagne,
Cromo, Selenio, Titanio

要放在两个同一厚度空心
墙板之间, 而总是固定
在下方的实心或空心墙
板上,
EN Must be installed
between two hollow wall
panels of the same width
and must always be
fixed to the lower solid
or hollow wall panel



灯光

EN Lighting

种类 EN Types

墙板的LED背光灯,
EN LED backlighting for
wall panels

长10 - 20 - 30 - 40 - 50 60
- 70 - 80 - 90 - 100 110 -
120 - 130 - 140 150 - 160 -
170 - 180 190 - 200 - 210
厘米

W 3.94" - 7.87" - 11.81"
15.75" - 19.69" - 23.62"
27.56" - 31.50" - 35.43"
39.37" - 47.24" - 51.18"
55.12" - 59.06" - 62.99"
66.93" - 70.87" - 74.80"
78.74" - 82.68"

也可适用智能手机app遥控
器开关以及调节明暗,
EN To turn on or dim
the light a smartphone
app or remote are also
available

背光灯玻璃隔板,
EN Backlit glass shelf

厚 1.2 厘米
深 28 厘米
长 80 - 90 - 100 - 120 -
140 150 - 160 - 180 - 200
210 厘米

Th 0.47"
D 11.02"
W 31.50" - 35.43" - 39.37"
47.24" - 55.12" - 59.06"
62.99" - 70.87" - 78.74"
82.68"

饰面, EN Finish
磨砂玻璃, EN Frosted
glass

要放在两个同一厚度空心
墙板之间,

EN Must be installed
between two hollow wall
panels of the same width



PIANCA

Via dei Cappellari, 20
31018 – Gaiarine, Treviso
ITALY

T +39 0434 756911
F +39 0434 75330

info@pianca.com
pianca.com

p.iva IT 01682580269

Vietata la riproduzione a qualsiasi scopo.
Campione promozionale gratuito non destinato alla vendita.
Escluso iva art.2 comma 3 D.P.R. 633/72 - esonerato da documento di
trasporto art.4 punto 6 D.P.R. 627/78

Pianca si riserva di apportare, senza preavviso, le modifiche necessarie
al fine di migliorare il funzionamento e la qualità dei propri prodotti.
Si prega di consultare i listini e relativi aggiornamenti per aspetti
tecnici e dimensionali. Colori e materiali hanno valore puramente
rappresentativo.

^{EN} Pianca reserves the right to apply the necessary modifications without
notice, in order to improve the performance and quality of its products.
Please see the pricelists and relevant updates for technical data and
dimensions. Colours and materials serve merely as an example.